

Front access, lay-in luminaire designed for heavy duty grid ceilings in clean and sterile environments. IP65 (front) / IP54 (rear) ensures the ceiling integrity is maintained at all times, even when the cover is removed.



SMARTSCAN | DALI



Pharmacies



Laboratories



Electronics manufacturing



Semiconductor manufacturing



Food preparation manufacturing

FEATURES



Particle PPM



Recessed



Front Access



IP54 Above
IP65 Below



Heavy duty T
bar ceilings



TP(a)
Diffuser



SmartScan
Compatible



UKCA



CE Mark

OPTIONS AVAILABLE ON REQUEST

- Special RAL colour **
- Antimicrobial Paint "+AntiMic" **
- 3000K or 6500K LED light engine **
- CRI90 LED light engine **
- Stainless steel frame **
- Screwless frame. Add '+SCREWLESS'
- Deglaring lens: LG7 compliant, providing <math><1500\text{cd/m}^2</math>. Replace 'S' suffix with:
LG7+clear polycarbonate / LP
LG7G' LG7+toughened glass / LG
- Toughened glass front panel: For applications where corrosive cleaning agents may be applied. Glass is supplied in addition to the satin polycarbonate panel. Replace 'S' suffix with 'TGS'

** Available on request, contact sales

FINISHES

White RAL9010 |

satin opal diffuser |



EXTRA FEATURES

- Fixed output, 4000K, CRI80 as standard
- Conforms to FS209E class 1000, ISO14644 class 6 standard
- IP65 (front) / IP54 (rear)
- LUX Guard, LED protection
- Removable LED platform for improved sustainability and longer life cycle

CONSTRUCTION

- Zinc plated steel body
- 46mm aluminium diffuser frame, with welded and finished corners
- Polyester powder coated body and frame
- Polycarbonate fire-retardant diffuser, TP(a)
- White EPDM closed cell gaskets

APPLICATIONS

- Clean and sterile environments up to FS209E class 1000, ISO 14644 class 6
- Pharmaceutical production
- Pharmacies
- Hospitals
- Laboratories
- Electronics manufacturing
- Semiconductor manufacturing
- Food preparation manufacturing

EMERGENCY OPTIONS, 3 HOUR INTEGRAL

- Standard, Self-test, DALI or SmartScan

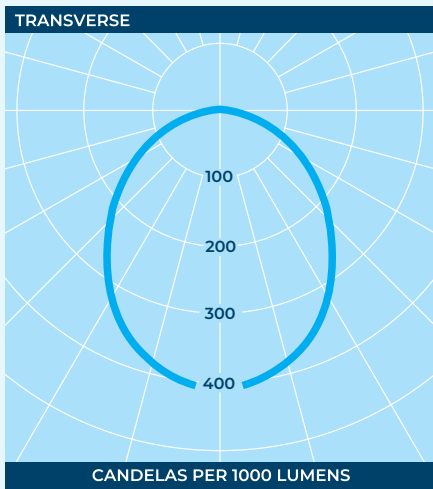
*** Central battery, contact sales

SmartScan Configurations



Find out more at www.thorlux.com/smartsan

PHOTOMETRY



SATIN

Luminaire Lumen Output
600 x 600

- 26W** = 3247lm
- 33W** = 4217m
- 42W** = 5216lm
- 50W** = 6217lm

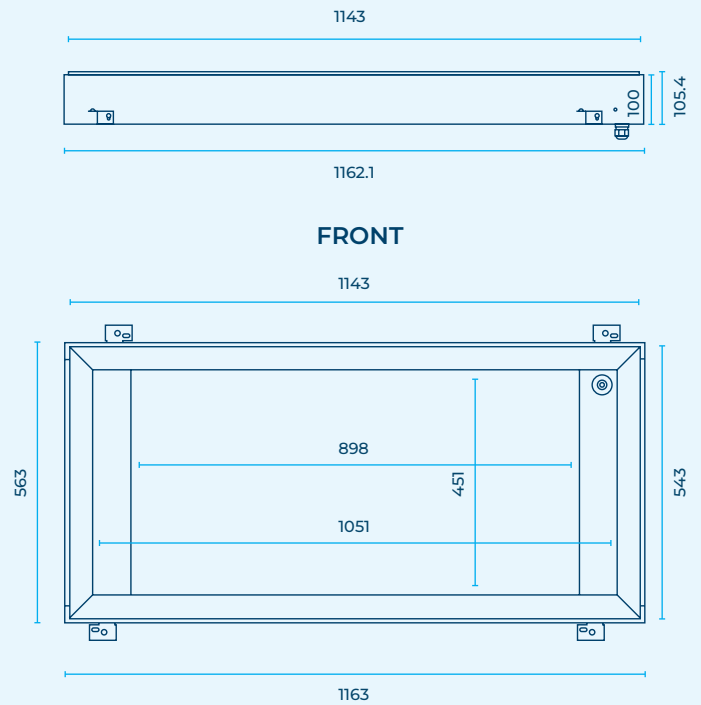
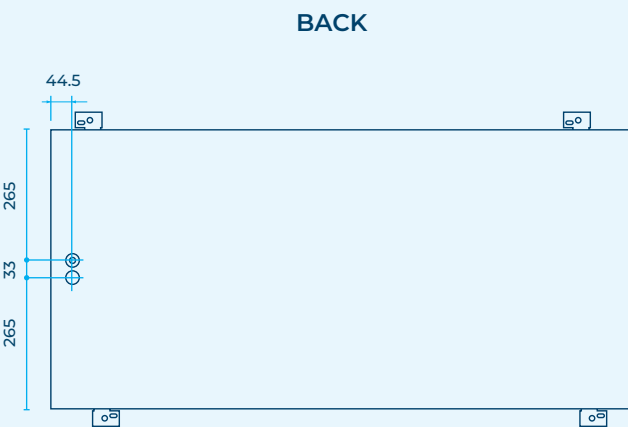
Luminaire Lumen Output
1200 x 600

- 52W** = 6494lm
- 66W** = 8434lm
- 84W** = 10433lm
- 100W** = 12434lm

NOTE - Emergency lumen output does not change according to wattage.
(Lumen output for central battery systems will vary according to the installation)

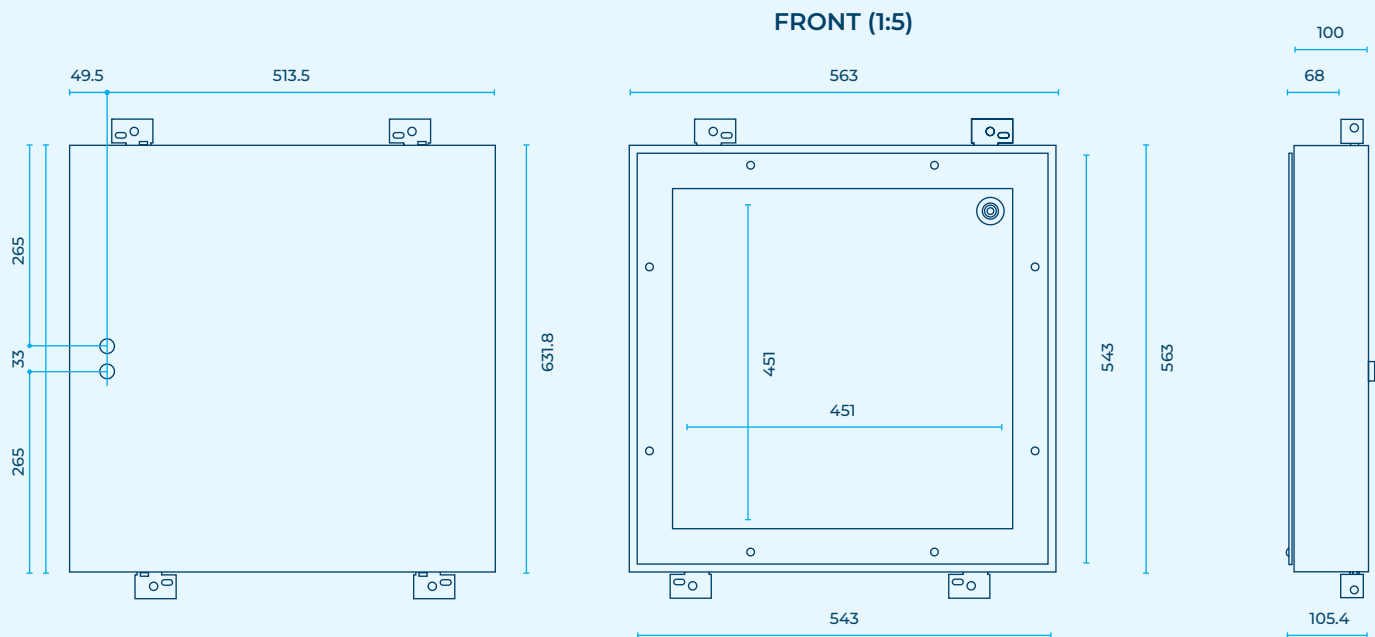
DIMENSIONS

IN MM



DIMENSIONS CONTINUED

IN MM



CEILING TYPES

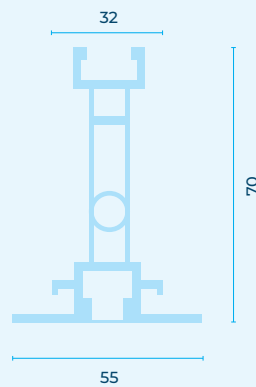
1200 X 600

TYPE A

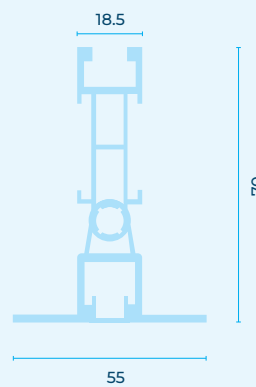
70MM BRACKET POSITION
(SHORT EDGE)



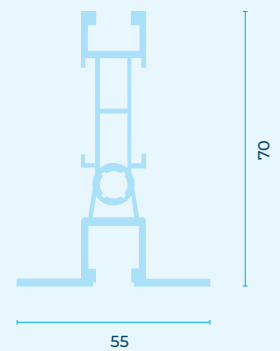
CAMFILL GRID (CAMGRID FFU)



AAF 55MM T GRID



TRIPLE AIR 55MM - 70MM
TGRID (SAME WITH AAF GRID)

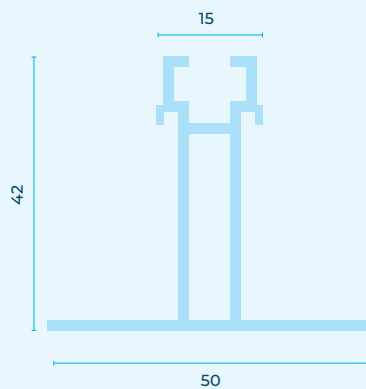


TYPE B

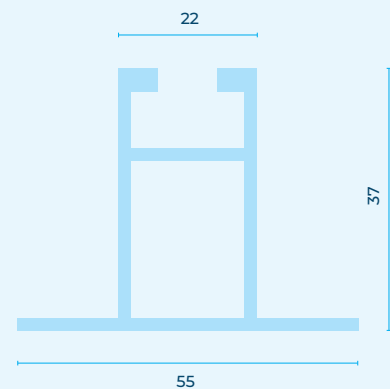
37-42MM BRACKET POSITION
(LONG EDGE)



AAF HT50 T GRID



TRIPLE AIR 55MM-37 T GRID



WATTAGE	CAT. NO.	NOMINAL SIZE	LUMENS	LL/CW	APPROX. kg
26	BETA2232L4S	600mm x 600mm	3247	124.9	11
33	BETA2242L4S		4217	127.8	
42	BETA2252L4S		5216	124.2	
50	BETA2262L4S		6217	124.3	
52	BETA4264L4S	1200mm x 600mm	6494	124.9	19
66	BETA4284L4S		8434	127.8	
84	BETA42104L4S		10433	124.2	
100	BETA42124L4S		12434	124.3	

LED CHARACTERISTICS

CRI	80+
COLOUR TEMPERATURE	4000K
RATED LIFE (HOURS)	100K-L80/B10
PROTECTION	LUX GUARD
DRIVER EFFICIENCY	91%
REPLACEABLE	YES
POWER FACTOR	>0.9
LL/CW	127

ENERGY EFFICIENCY CLASSIFICATION **A**

For LED characteristics explanation see www.solite-europe.com/led-guide

CONTROLS OPTIONS - suffix catalogue number with:
DALI-DIM - DALI dimmable / SSCAN - SmartScan e.g.
BETA2238WLED4S+DALI-DIM

EMERGENCY OPTIONS - suffix catalogue number with:
EM - Standard 3 hour integral / **EM-ST** - Emergency Self-test
3 hour integral / **DALI-EM** - DALI 3 hour integral / **SSCAN-EM** -
SmartScan 3 hour integral e.g. **BETA2242L4S**